

MSC-ADVANTAGE

**Smart design
has its rewards**



NEW! Thermo Scientific MSC-Advantage™
Class II Biological Safety Cabinet



MSC-Advantage:



Laboratories today are facing new challenges. Safety and reliability continue to be paramount. Yet, there is growing need worldwide for improved energy efficiency, simpler operation and less maintenance.

Introducing the MSC-Advantage: a new line of Thermo Scientific Class II biological safety cabinets for best-in-class energy efficiency, reliability and operation. The MSC-Advantage platform is flexible and easy-to-use with exactly the features you need – ensuring the highest safety, quality and value.

proven global leadership in safety

The Thermo Scientific MSC-Advantage is backed by our global reputation and commitment to provide the safest and most reliable biological safety cabinets available.

We have decades of market leadership in biological safety cabinets, as well as a full suite of laboratory solutions – all with unmatched quality and world-renowned service and support.

Thermo
SCIENTIFIC

MSC-ADVANTAGE

8760



Ease-of-Use for Enhanced Safety

An inefficient working environment can create expensive disruptions to lab procedures and devastate important results. The Thermo Scientific MSC-Advantage delivers easy-to-use features that enable you to perform your best work – productively and safely.

Whisper-Quiet Operation

The cabinet offers a very quiet environment that does not compromise safety or comfort.

Easy-to-Read Controls

Clearly visible from a seated position, an easy-to-reach microprocessor control panel offers a large display of operating parameters and functions.

Ergonomically Angled Cabinet Front

Cabinet front is sloped 10° for enhanced comfort and reduced operator fatigue.

Spacious Work Area

A very large work surface enables productivity with plenty of space for your research.

Flexible, Divided Work Tray

The standard divided, stainless steel work tray is offered in 4 or 6 pieces (depending on cabinet size), each section 300 mm wide. Pieces are easily removable for cleaning and autoclaving.

Comfortable Armrest

Standard armrests sit just above the intake grill to avoid accidental blocking with coat sleeves, while improving overall user comfort.



Effective Cleaning

To reduce risk of sample cross-contamination, a patent-pending window design easily lowers to thoroughly clean window sash interior. This unique design assures that the operator can clean the entire front window safely and easily.

Easy Servicing

All cabinet components, including HEPA filters, are easily accessible from the front to allow for rapid service and minimal work disruption during preventative maintenance and recertification.

Exceptional Safety

Smooth components are used throughout the cabinet, virtually eliminating risk of injury during routine cleaning, servicing, and maintenance procedures.

Reduced Maintenance

The optional UV light is programmable from 1 minute to 24 hours, minimizing bulb replacement.



Easy-to-Access Control Panel & Performance Data

The large microprocessor control panel displays valuable safety and performance data, and is always within easy reach from a seated position. The intuitive interface delivers a constant read-out of downflow and inflow velocities and filter usage status. The exclusive Performance Factor monitoring system clearly displays when service of the cabinet is necessary.

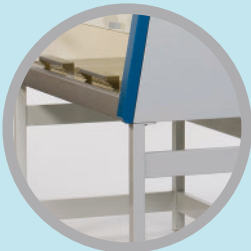


Options and Accessories



Easy-to-Clean, One-Piece Work Tray

Traps spills for quick and easy clean up.



Multiple Stand Options

Three different stand designs are available to accommodate user needs.



Programmable UV Light

Optimizes decontamination and minimizes bulb usage with programmable timer.



Service Valve Kits

Dispenses combustible and non-combustible gas into the cabinet. Vacuum and water taps are also available.

ADDITIONAL ACCESSORIES:

Additional Charcoal Exhaust Filter

absorbs odors caused by animal research or other odorous applications.

Additional Exhaust Filter

provides enhanced security for exhausted air.

Direct Duct Exhaust System and Thimble Duct Exhaust System

allows for air to exhaust outside the building rather than into the laboratory environment.

SEE WEB FOR ORDERING INFORMATION

www.thermo.com/msc

Smart design has its rewards –

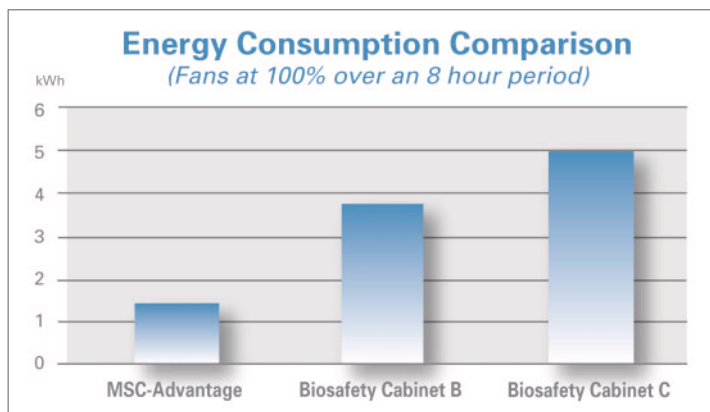
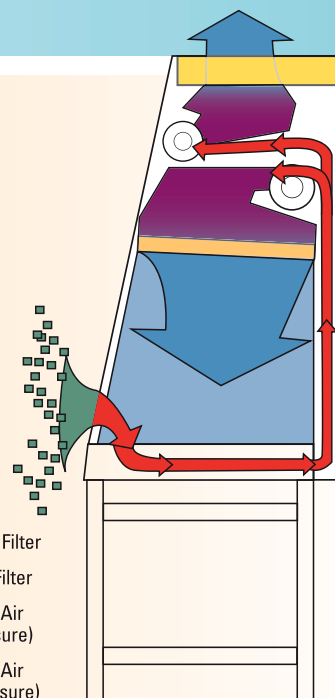
intelligent technology, exceptional value

The Thermo Scientific MSC-Advantage features advancements in motor technology for dramatically improved energy efficiency and operation. At full speed, the motors consume 60% less energy than competing motor technologies. During low usage, an intelligent speed control automatically reduces blower speed to 30% when the cabinet window is closed. This unique technology extends HEPA filter usage life, ensures a sterile working environment and minimizes energy and operating costs.

Unique Airflow Technology

Ambient air is pulled into the cabinet by the blower and immediately trapped by the patented negative pressure drain pan. Contaminated air is pulled through the supply and exhaust HEPA filters. Approximately 30% of the air volume is exhausted as sterile air back into the environment and approximately 70% of the air is recirculated inside the MSC-Advantage work area.

- Clean Air
- Ambient Air
- Exhaust HEPA Filter
- Supply HEPA Filter
- Contaminated Air (positive pressure)
- Contaminated Air (negative pressure)



**based on internal performance benchmarks*

Energy Efficiency

Reducing overall energy usage is critical for a cost-efficient laboratory. With 60% less energy consumption and heat emission than traditional cabinets, energy usage and lab air conditioning costs are significantly reduced.*



Best-in-Class Value

▶ *optimizing efficiency and operation*

With the Thermo Scientific MSC-Advantage, you'll enjoy best-in-class performance:

- **Energy Efficiency**
*60% less energy consumption and heat output**
- **Ease-of-Use**
simple operation for ultimate safety
- **Optimized Maintenance**
superior lifecycle reliability

The MSC-Advantage fully complies with the EN 12469 safety standard as independently tested and certified by TÜV Nord.



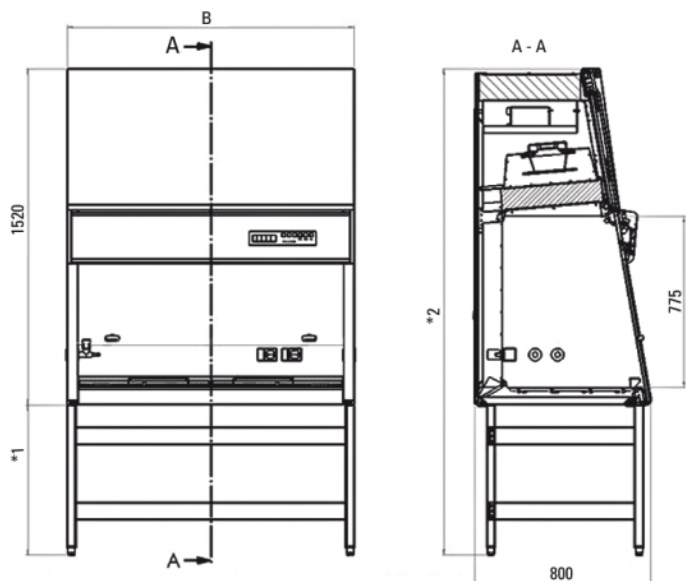
*based on internal performance benchmarks



Thermo Scientific MSC-Advantage, Class II Biosafety Cabinets

Specifications and Ordering Information

| Model | | MSC-Advantage 1.2 | MSC-Advantage 1.8 |
|-----------------------------|--|--|---|
| Cat. No. | | 51025411 | 51025413 |
| Dimensions | Exterior dimensions with stand (w x h x d) | 1300 x 2200 x 795 mm (51.2 x 86.6 x 31.3 in) | 1900 x 2200 x 795 mm (79.5 x 86.6 x 31.3 in) |
| | Interior dimensions (w x h x d) | 1200 x 780 x 495 mm (47.2 x 30.7 x 19.5 in) | 1800 x 780 x 495 mm (70.9 x 30.7 x 19.5 in) |
| | Work surface with adjustable stand | 750 to 960 mm (30 to 38 in) | 750 to 960 mm (30 to 38 in) |
| | Interior work surface area | 0.56 m ² (930 sq. in) | 0.84 m ² (1395 sq. in) |
| | Working height of front window | 200 mm (8 in) | 200 mm (8 in) |
| | Maximum lifting height of front window | 535 mm (21 in) | 535 mm (21 in) |
| | Shipping dimensions (w x h x d) | 1410 x 1700 x 925 mm (55.5 x 66.9 x 36.4 in) | 2010 x 1700 x 925 mm (79.1 x 66.9 x 36.4 in) |
| Weight | Net weight | ~240 kg (~530 lbs) | ~340 kg (~750 lbs) |
| | Shipping weight | ~260 kg (~575 lbs) | ~360 kg (~795 lbs) |
| | Maximum weight load of one-piece work tray | 50 kg (110 lbs) | 50 kg (110 lbs) |
| | Maximum weight load of divided work tray | 25 kg (55 lbs) (max of 50 kg) | 25 kg (55 lbs) (max of 50 kg) |
| Ventilation System | Exhaust/inflow air volume | 400 m ³ /h (230 CFM) | 600 m ³ /h (345 CFM) |
| | Heat emission at 25°C ambient | ~0.15 kW | ~0.26 kW |
| Filter Specification | Supply/exhaust air filter | HEPA H 14 EN 1822, 99.999% at 0.3µm particle size | |
| | Additional exhaust filter option (AEF) | HEPA H 14 EN 1822, 99.999% at 0.3µm particle size | |
| Performance | Certification | EN 12469; GS Nord Cert-TÜV | EN 12469; GS Nord Cert-TÜV |
| | Sound pressure level | <55 dB (A) | <57 dB (A) |
| | Lighting power | >1200 lx | >1200 lx |
| Electrical Data | Voltage | 1/N/PE 230 V AC | 1/N/PE 230 V AC |
| | Frequency | 50 Hz | 50 Hz |
| | Power consumption | 0.4 kW | 0.8 kW |
| | Current consumption | 1.7 A | 3.4 A |
| | Protection class | I / IP 20 | I / IP 20 |
| | Protective measure | Conductor connection | Conductor connection |
| | Individual precautions on customer side | Lead fuse (slow blow) T 16 A or circuit breaker B 16. The local electrical regulations in the country of use as well as the relevant connection conditions must be observed. The national regulations for electrical engineering as well as the relevant technical connection conditions must be taken into account. | |
| | Supply Management | Supply requirement | 230 V, 50/60 Hz standard supply. Total requirement including interior sockets 13-16 Amps. |
| Receptacles | | The receptacles have a load capacity of up to 5 A and are protected with T 5 A fuses. When all receptacles are in use simultaneously, they must not exceed the maximum total load capacity of 5 A. | |
| Radio interference | | Circuit is interference free in accordance with EN 55 014 | |
| Features | Access ports (23 mm) | 4 (2 on each side) | 4 (2 on each side) |
| | Service valves | Up to 4 (installed through access ports) | Up to 4 (installed through access ports) |
| | Receptacles | One double, right side | Two double, left and right side |
| | Warranty | 2 years parts and labor | 2 years parts and labor |



© 2007 Thermo Fisher Scientific Inc. All rights reserved. All trademarks are the property of Thermo Fisher Scientific Inc. and its subsidiaries. Specifications, terms and pricing are subject to change. Not all products are available in all countries. Please consult your local sales representative for details.

North America: +1 866 984 3766
Europe: Austria +43 1 801 40 0, Belgium +32 2 482 30 30, Finland +358 9329 100, France +33 2 28 03 20 00, Germany +49 6184 90 6940 or +49 6103408 1012, Italy +39 02 95059 1, Netherlands +31 76 571 4440, Russia/CIS+7 095 225 11 15, Spain/Portugal +34 93 223 3154, Switzerland +41 1 45412 12, UK/Ireland +44 870 609 9203
Asia: India +91 22 5542 9494, Japan +81 45 453 9220, China +86 21 68654588 or +86 10 5850 3588,
Other Asian countries: +852 2885 4613
Countries not listed: +49 6184 90 6940 or +33 2 28 03 20 00

www.thermo.com/msc

* 1 = Floorstand for seating position 680 mm +15/-5; Floorstand for standing position 880 mm +15/-5
 * 2 = Seating position 2200 mm +15/-5; Standing position 2400 mm +15/-5
 B = 1300 mm with MSC-Advantage 1.2 / 1900 mm with MSC-Advantage 1.8