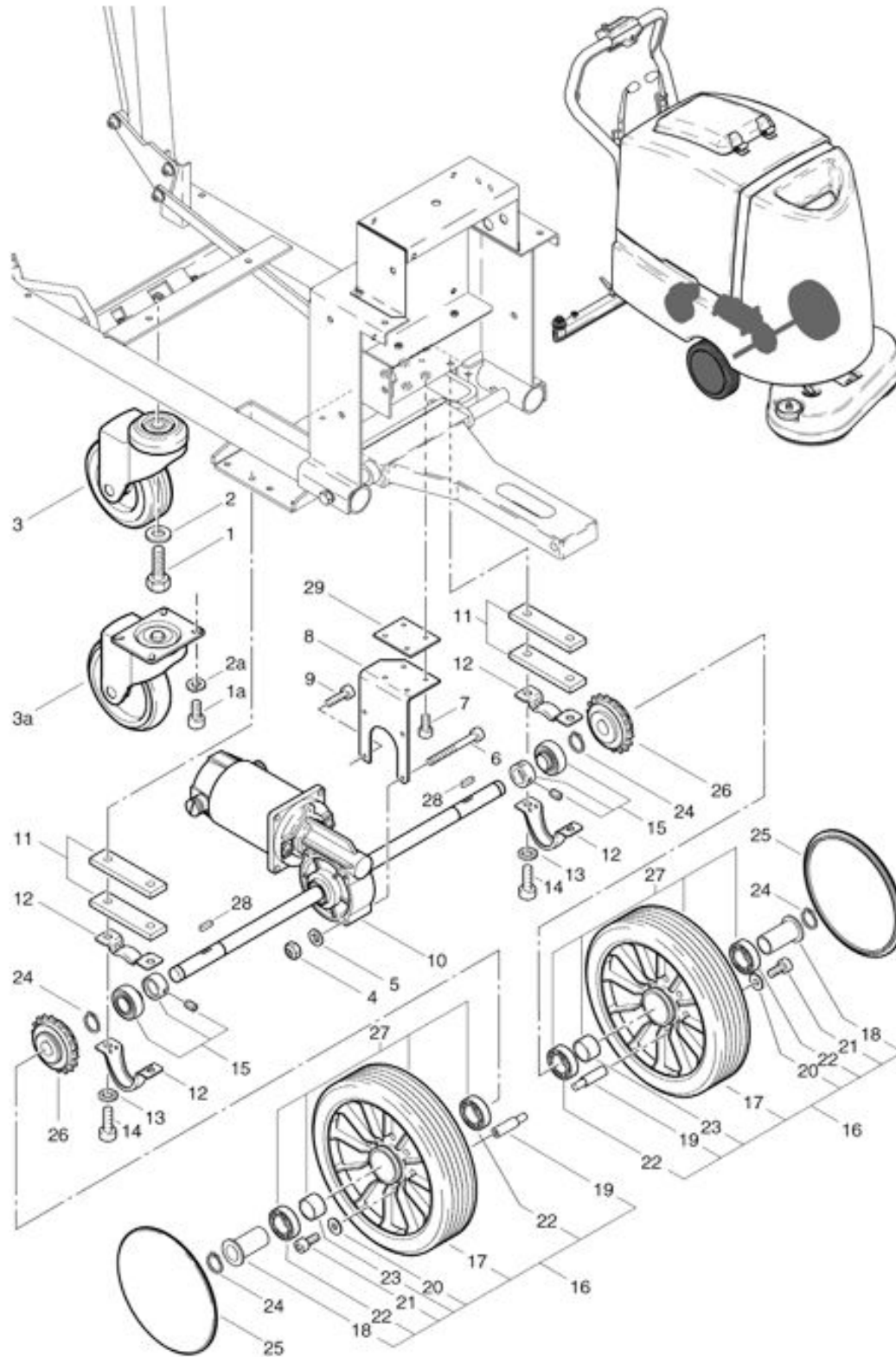


RA 560 B
Drive unit for wheel support

As at: 11/14/11 Time:11:32



RA 560 B Fahrtrieb / Bloc moteur pour le socle support / Drive unit for wheel support B 7-12.2004

RA 560 B

Drive unit for wheel support

As at: 11/14/11 Time:11:32

Pos.	Description	Reference
01	Hexagon screw M 10x35 up to Machine No. 8419	P...471 V
01a	Hexagon screw M 8x10 beg. Mach. No. 8420.001	P...487 A
02	Washer M 10 up to Machine No. 8419	P...496 T
02a	Washer M 8 beg. Mach. No. 8420,001	P...498 N
03	Castor Ø 125 mm up to Machine No. 8419	560.410
03a	Castor Ø 125 mm beg. Mach. No. 8420 001	560.412
04	Security nut M 5	P...493 G
05	Washer M 5	P...497 G
06	Hexagon screw M 5x45	P...488 L
07	Hexagon screw M 5x10	P...489 E
08	Drive support	560.445
09	Hexagon screw M 5x16	P...486 J
10	Drive motor	560.415
11	Support	560.446
12	Bearing cover	560.451
13	Serrated washer M 8	P...498 N
14	Hexagon screw M 8x16	P...487 C
15	Plummer block	560.452
16	Wheel complete, including Items 17-23	560.400
17	Traversing wheel	560.405
18	Wheel bearing	560.407
19	Tappet	560.406
20	Washer M 6	P...496 K
21	Hexagon screw M 6x12	P...486 Q
22	Ball bearing	P...316 R
23	Distance piece	530.246
24	Fuse	P...513 I
25	Wheel cover	530.242
26	Rim of toothed wheel	560.416
27	Wheel complete, including Items 17,22+23	530.240
28	Wedge	P...513 W
29	Intermediate plate 4 hole	560.444