



The A320i ink jet printer

Breaking the service routine



With the intelligence to manage itself, the new **A320i** reduces cost and simplifies the production line.

Domino. Do more.

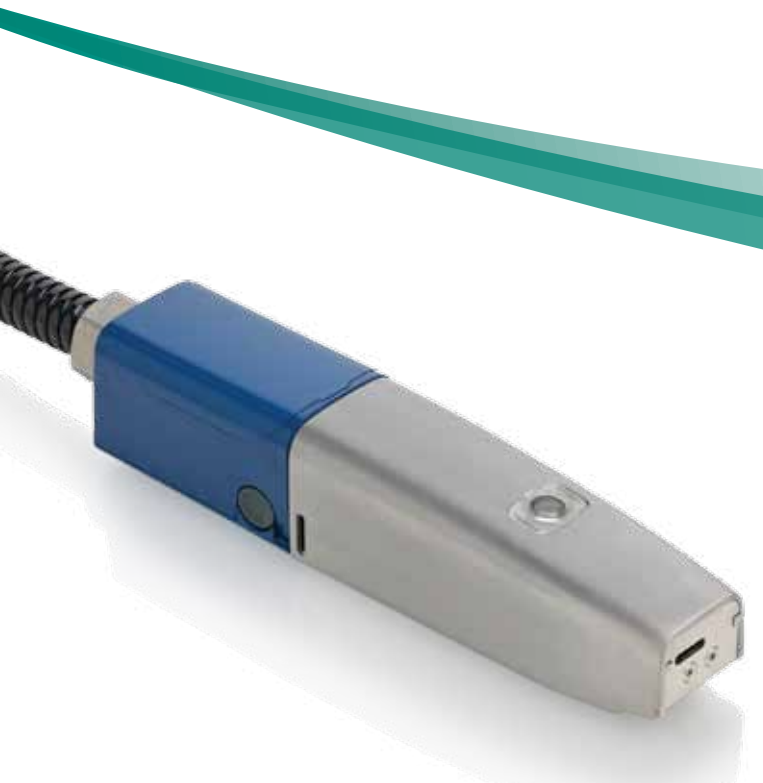
Breaking the service routine

From the moment you press the start button, the **A320i** begins to make your life easier.

With the deployment of *intelligent Technology*, the **A320i** only needs to have consumables replenished to maintain optimum performance. That's all the service this printer requires.

You save time, as well as ink, and it keeps the printer online for longer.

It's another step forward. Building on our long standing experience of developing coders that do more to keep your line operating at its most efficient.



The **i-Tech** ink system ... where engineering and chemistry come together

Domino's **i-Tech** inks are designed for optimum performance

- Optimised code quality
- Optimised reliability
- Optimised running costs

Inks in the **i-Tech** range are designed for a wide range of applications



i-Tech inks that conform to EuPIA guidelines for food packaging



i-Tech inks free of heavy metals and halogens



i-Tech inks for very fast drying applications with low odour and low taint



Alcohol resistant **i-Tech** inks ideal for cable, wire and other industrial applications

30 years of Domino ink jet reliability doesn't happen by chance

i-Tech inks from Domino

- Quality design
- Quality process
- Quality materials
- Quality people

Domino's **i-Tech** fluids range is at the heart of the printer ...



Greener credentials

Domino's commitment and investment in sound environmental practices means we frequently exceed the demanding governmental, industry and company standards and regulations. We are committed to minimising the consumption of natural resources and energy and the creation of waste. Additionally, our products are RoHS and WEEE compliant so that they are recyclable.

A320i

The new A320i, with a reduced service routine, intelligent ink life - minimising waste as well as 40% reduced weight (versus previous models) – helping you to reduce your carbon footprint. With advanced energy saving software the printer can even automatically shut down when your production line stops.

Service free – with intelligence inside

Introducing the **Qube** – no maintenance, no fuss

At the heart of the **i-Tech** ink system is the revolutionary **Qube**, which contains the working ink and ink filters. Changing the **Qube** is a job that anyone can do in less than 10 minutes.



Intelligent

With **i-Tech** ink and solvent management, the **A320i** monitors how you're using it and works out when consumables are due for replacement.

Improved Overall Equipment Effectiveness (OEE)

The self-sealing **CleanFill** cartridges make fluid replenishment easy and safe – and of course, they can be changed while the printer is operating. The larger volume makeup cartridges provide extended runtime between changes.

The result? A printer that is online for longer, with fewer interruptions – and less waste.



Easy to integrate – production lines are complex enough



Versatile

A range of User Interface (UI) options to suit every application and make management of multiple printers more convenient.

- Onboard interfaces
- Remote and web server
- Standard functions and networking protocols



Accessible

Easy to integrate into complex environments with a wide range of Input/Output (I/O) to suit your needs. Our patented scripting technology allows special functionality without complex coding.

Easy to use – for a stress free line

Simple

QuickStep is our unique, simplified operator interface that gets the printer in action as quickly as possible. No complex menus or parameters, just enter the job and away you go.

Even our consumables are colour-coded for complete day-to-day convenience.



Secure

For controlled situations, security management is included and is GAMP4 compliant. So you can determine who has access to the settings. Message templates and text fields enable secure message editing, eliminating error.

Easy to live with – because your time is precious



Convenient

Just press a single button and walk away. We call it **SureStart**. It's our unique print head with a nozzle sealing and flushing process that guarantees consistent performance.

Reliable

Combined with class-leading filtration and modulation, the Domino **A320i** incorporates a temperature-controlled head and measured viscosity control system to ensure consistent and efficient operation.



Consistent

You can leave the **A320i** to get on with the job, through start up, during operations and shut down, with the peace of mind that it will deliver performance and quality, consistently.

Domino. Do more.

A quick tour around the A320i

Easy to install and maintain

Sleek industrial design is a noted feature of Domino printers.

SureStart
print head

QuickStep operator
interface or **SureTouch**
keyboard

The new **i-Tech**
ink system

The revolutionary **Qube**,
housing ink and filters

Fully integrated and coordinated
range of accessories

High quality materials
and construction

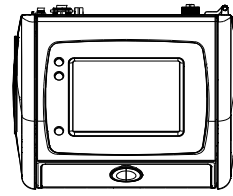


Our next generation of primary coders deploy our unique *intelligent Technology* system, **i-Tech**. Our aim was to make production lines lower maintenance, lower cost and more efficient. **i-Tech** has helped us to achieve that aim.

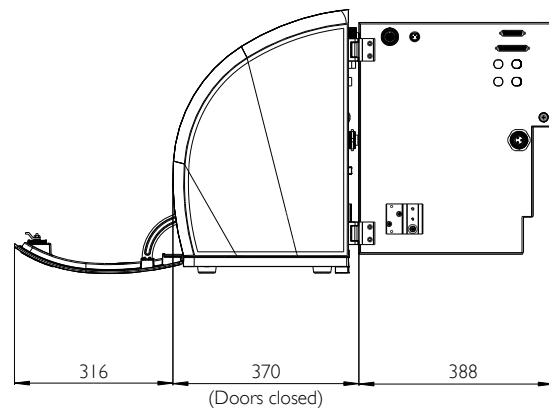
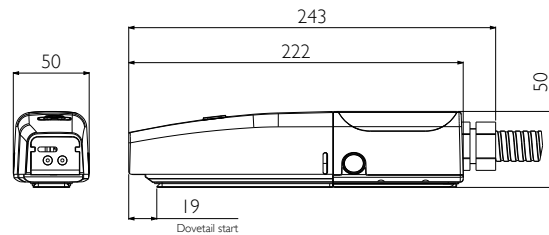
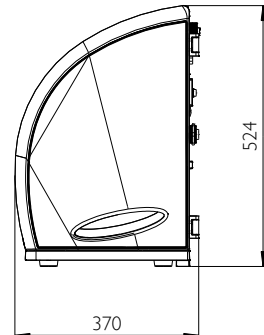
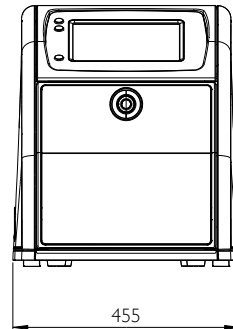
Domino. Do more.

Technical Specification:

A320i	
Operational Capability	
Max number of unicode characters per line	255
Max number of lines	4
Max number of messages per store	256
Max number of stores per printer	16
Max line speed (SL 5x5)	325m/min
Interfaces	
QVGA (320x240) with SureTouch key board	Standard
SVGA (800x600) colour TouchScreen	Optional
TouchPanel remote touch screen	Optional
Ethernet (web server and email)	Standard
USB	Standard
RS232	Optional
Domino Protocols	Codenet/Intercom
Industry Protocols	ZPL (limited)
4 stage 24v beacon	Optional
4 stage voltage free contacts	Optional
Programmable i/o (8 Inputs and 8 outputs)	Optional
Product detect	Standard
Shaft encoder	Standard
Environment	
Weight	24.5kgs
IP rating	55
Operating temp	5 to 50
Humidity	10-90%
Power requirement	96-256v 47-63hz
Power consumption	56.3 Watts
Compliance	
CE	Standard
TUV	Standard
RoHS	Standard
Sony Green Partner	Standard
Eupia compliant inks	Standard
Heavy metal free inks	Available
Halogen free inks	Available
Print head	
Conduit length	3m
Bend Radius	100mm
Nozzle size	60µ or 75µ
Sure start	Standard
Heater	Standard
Positive air pump	Optional
Air Dryer	Optional
Ink System	
i-Tech ink system	Standard
CleanFill ink cartridge	825ml*
CleanFill MU cartridge	1200ml*
Qube Replacement	Annual*
Routine Servicing	None
* operator task	



Not to scale.
For illustrative purposes only.



Print Sample

