

Nueva

The Nueva from IMI Cornelius is a soft drinks tower that enjoys a reputation for eye-catching design providing draught Pepsi Cola with that extra presence on the bar, maximising impulse sales and differentiating the brand.

For the ultimate dispense solution the Nueva fits perfectly with our range of high quality soft drink coolers; together they deliver an exceptional drinks experience.

Features include;

- Suitable for pre-mix and post-mix applications
- Available in 5, 6 or 8 valve versions
- Varying branding panel option to tailor to individual environments
- Sophisticated illumination to drive impulse purchase
- Compatible with the existing range of soft drink valves





Specification

Number of taps: 5 - 8
 Valve options: Premix or UF1
 Connexion voltage for postmix valves and illumination: 24V / 50 Hertz

Finishes:



Not included: Transformer

Advertisement options:

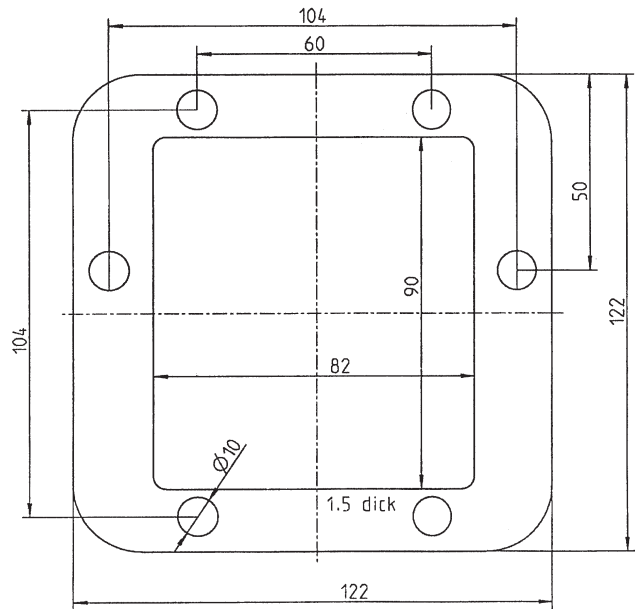
Product labels- back side
 (Illumination optional) height incl. ad option 375 mm

Moonlight
 (Illumination optional) height incl. ad option 510 mm

Taxi-Sign
 (Illumination optional) height incl. ad option 480 mm

Sandblast logo
 Height incl. ad option 375 mm

Footprint:



Variations and order numbers Nueva

Please use the order formular or contact us

Contact:

Phone: (0049) 02173 79 30
 Fax: (0049) 02173 77 438

www.imi-cornelius.net
 info@imi-cornelius.net

IMI Cornelius reserves the right to modify the details in the publication as products and specifications are updated and improved. All data contained in this literature is correct at time of print. To ensure technical data is accurate please contact IMI Cornelius prior to placing your order.

