

ENG X-SERIES

2/3 Inch Digital Servo Telephoto



QuickZoom
Innerfocus

XA20sx8.5BRM



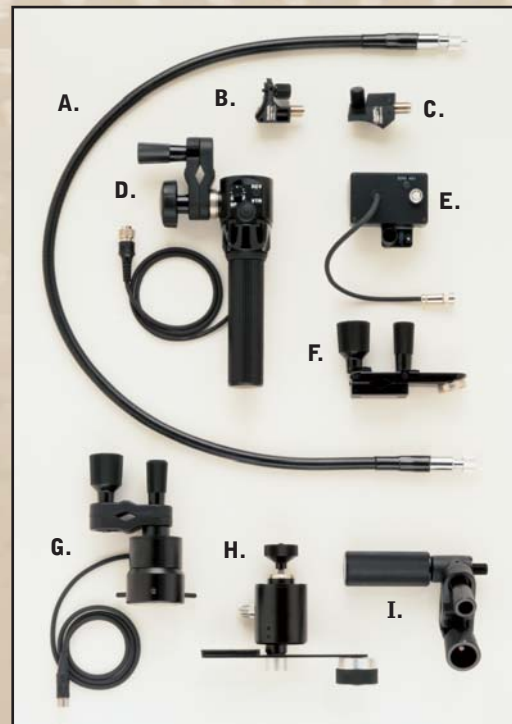
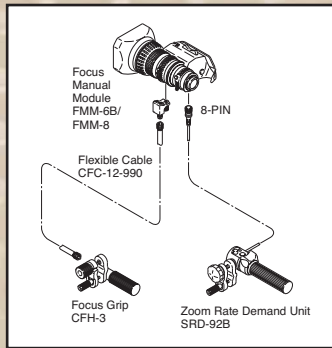
XA20sx 8.5BRM

LENS	XA20sx8.5 BRM
Zoom Ratio / Format	20X / 2/3"
Focal Length	8.5 ~ 170 mm
Maximum Relative Aperture	1:1.8 (8.5-113 mm) 1:2.7 (170 mm)
M.O.D. from Front of Lens	0.9 m
Object Dimensions at M.O.D.	4.7mm 910 x 511 mm 170 mm 47 x 26 mm
Angular Field of View (Hor. x Vert. in °)	8.5 mm 58° 51' x 35° 11' 170 mm 3° 14' x 1° 49'
Filter Size	ø82mm P=0.75
Inner Focus	Yes
Macro	Yes
Size (HxWxL)	ø85 x 180.8 mm
Weight	1.48 kg
Features	QuickZoom, Innerfocus, Digital Servo

ACCESSORIES: HD & SD ENG/EFP

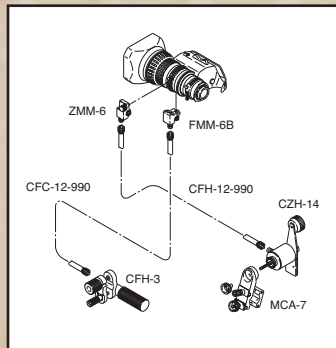
PROFESSIONAL REAR CONTROL KITS

MS-01 Manual Focus/Servo Zoom

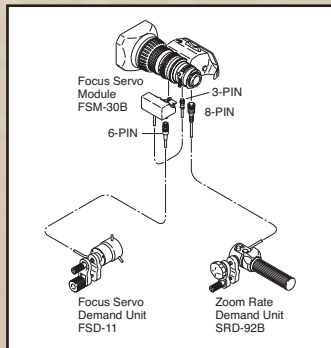


- A. CFC-990 Flex Cable
- B. FMM-6B/FMM-8* Focus Manual Module
- C. ZMM-6 Zoom Manual Module
- D. SRD-92B Zoom Demand
- E. FSM-30B Focus Servo Module
- F. MCA-7 Mounting Clamp
- G. FSD-11 Focus Demand
- H. CZH-14 Zoom Handle
- I. CFH-3 Focus Handle

MM-01 Manual Focus/Manual Zoom
Not available on S16x7.3



SS-01 Servo Focus/Servo Zoom
Not available on S16x7.3



*Specify camera type.

*FMM-8 for use with S16 x7.3