



Monochrome Cameras

FDP-No. : 91831

VK-1316/12V

- Resolution of 570 Horizontal Lines
- High Sensitivity
- Digital Signal Processing (DSP)
- Automatic Gain Control (AGC)
- Automatic Shutter Control (AES)
- Aperture Control (APC)
- Backlight Compensation (BLC)
- Internal Synchronization
- Auto Iris and DC Iris Control
- C/CS Mount
- Supply Voltage: 12 VDC



Lens is not included with the camera

Specifications:

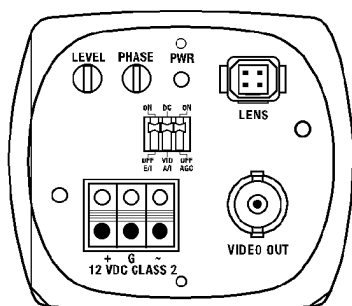
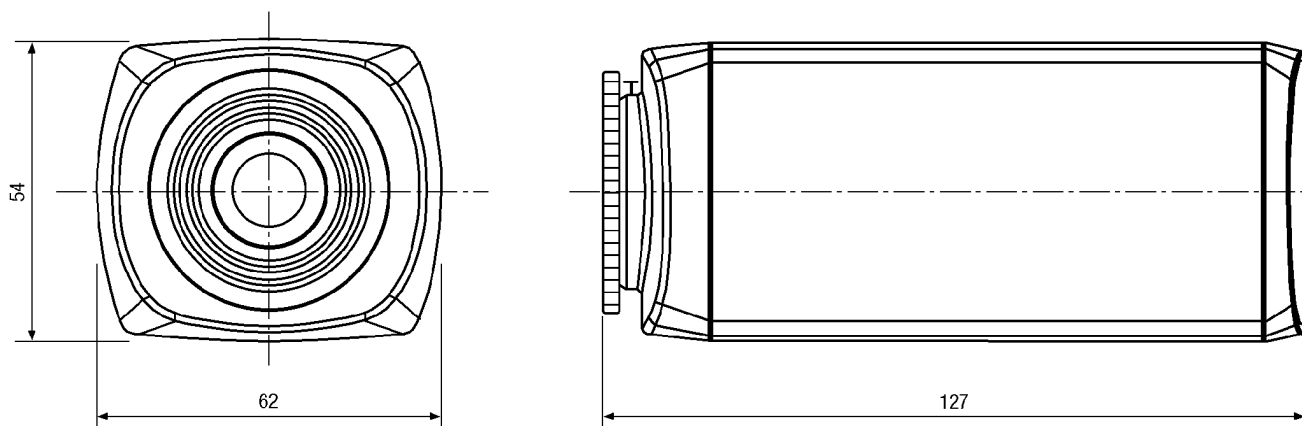
Imager	1/3" Interline transfer CCD
System	CCIR
Signal processing	DSP
Synchronization	Internal
Sensitivity at 50% video signal	0.18 Lux at F1.2 (VT measurement result)
Horizontal resolution	570 TV lines
Active picture elements	Approx. 440,000 (H) 752 x (V) 582
Signal-to-noise ratio	46 dB (AGC OFF)
Automatic shutter control (AES)	1/50 to 100,000 sec. (ON/OFF switchable)
Gamma correction	0.45
Aperture Correction (APC)	Horizontal and vertical
Automatic gain control (AGC)	ON/OFF switchable
Backlight compensation (BLC)	Provided
Video output	1 Vp-p, CVS, 75 Ohm
Mount	C/CS (with adapter)
Auto-Iris voltage supply	9 VDC (max. 40 mA)
External adjustments	Shutter ON/OFF, AGC ON/OFF, AI/DC iris control, Flange focus Level for DC controlled lenses

VK-1316/12V

External connections	Video (BNC), Auto-Iris/DC iris (4-pin), Power input (3-pin)
Iris controls	Manual iris, Auto-Iris/DC-Iris controlled
Supply voltage	12 VDC ($\pm 20\%$)
Power consumption	4 W
Camera mount	1/4" - 20 UNC thread on top and bottom
Temperature range	-10°C to +50°C
Dimensions (HxWxD)	See drawing
Colour	Pantone Coolgrey 1C
Weight	225 g

Accessories	
EDP No. / Type	Description
70442 VT-PS12DC-3	Power supply unit 230 VAC/12 VDC stabilized
77779 VT-PS12DC/UK	Power supply unit 230VAC/12VDC-500mA w. UK mains connector
79494 VHU-NT1	Power supply socket for Candid housing series, 230 VAC/12 VDC-14 VAC
79364 NE-112	Power supply unit 12 VDC-600 mA stabilized output voltage, with fuse 1.25 A, suitable for VHM housing series
79567 NE-119/12V	Power supply unit 230 VAC/12 VDC-400mA suitable for VHK/EC housing series
79574 NE-121/12V	Power supply unit 230 VAC/12 VDC-400mA suitable for VHK/ST housing series
79333 NE-104S	Power supply unit 12 VDC-400 mA stabilized output voltage, with fuse 1,25 A, suitable for VHL housing series
79334 NE-105S	Power supply unit 12 VDC-600mA stabilized output voltage, with fuse 1.25 A, suitable for VHB housing series
70688 WD-18	Wall bracket (ABS) with ball joint 1/4", beige finish
91853 VKC-131X/D	Dummy camera VK-1315/1316, VKC-1310/1311 series

Textual information for accessories



Maße/Dimensions: mm

e-mail: info@eneo-security.com • www.eneo-security.com