

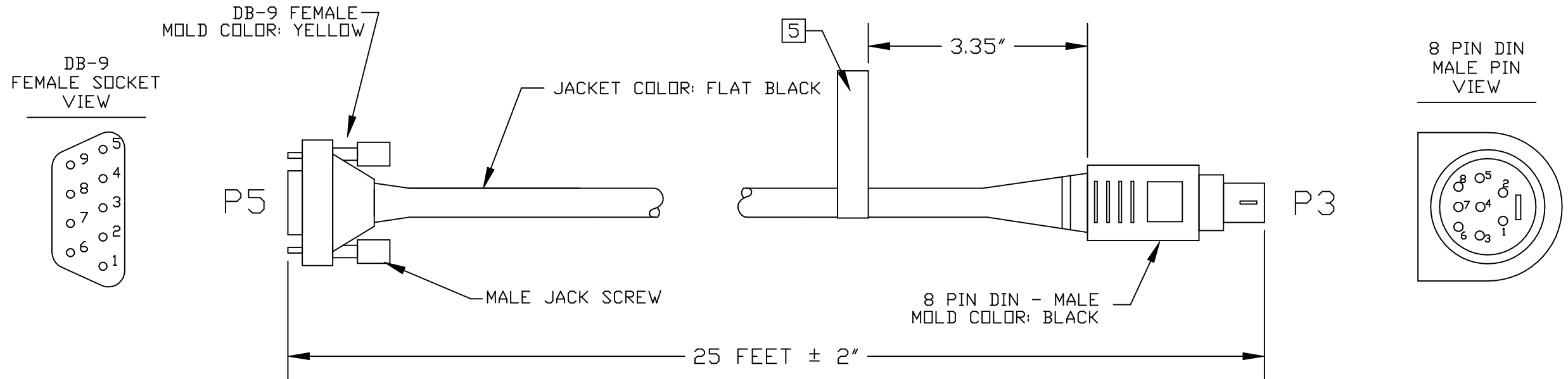
4

3

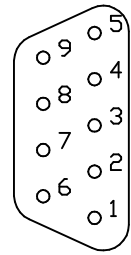
DWG. NO. 2457-09210-001 SH 1 REV. C

1

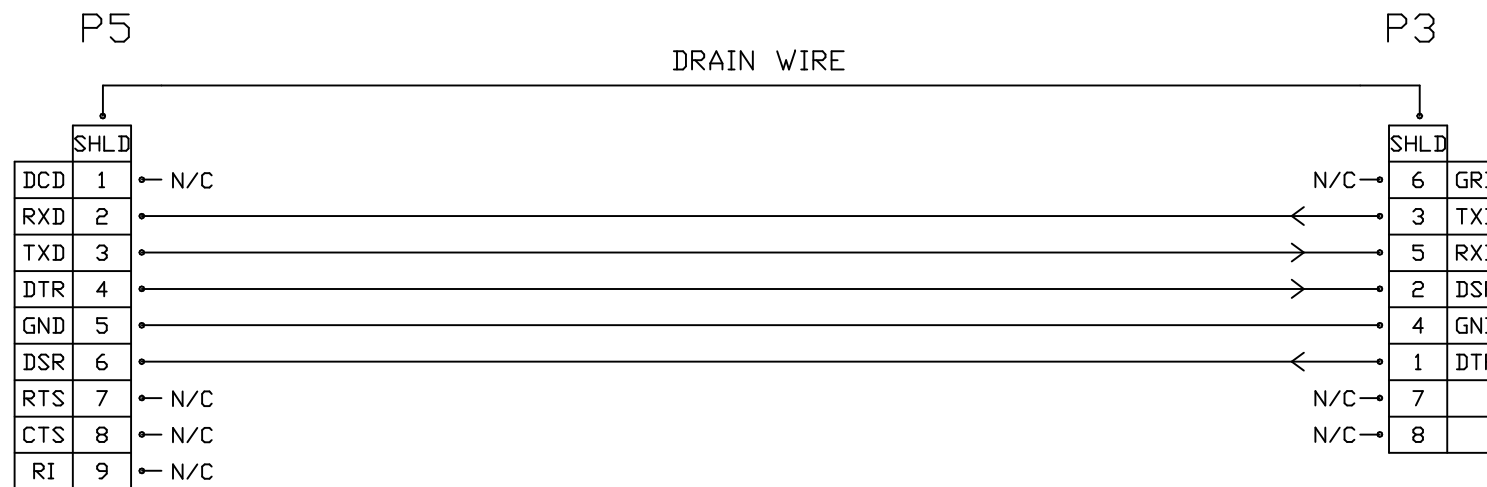
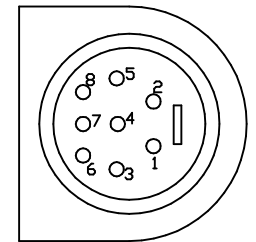
REVISIONS			
REV	DESCRIPTION	DATE	APPROVED
A	RELEASE PER ECD #99-1082	111999	JM
B	REVISED PER ECD 99-1135	.	.
C	REVISED PER ECD 01V-0136	.	.



DB-9 FEMALE SOCKET VIEW



8 PIN DIN MALE PIN VIEW



NOTES: (UNLESS OTHERWISE SPECIFIED).

- 1 N/C = NO CONNECTION
- 2. CABLE BETWEEN P5 AND P3 IS 7 OR 8 CONDUCTOR SHIELDED 26 AWG
- 3. FIRST ARTICLE AND MANUFACTURER DATA ON FILE IN DOC CONTROL
- 4. MOLDING MATERIAL: PVC UL94V-0 COLOR: YELLOW, APPROX COLOR MATCH TO PANTONE #109C

5 THE BARCODE CONTAINS LAST 8 DIGIT OF CABLE PART NUMBER (REMOVE VV2457).
 LABEL SPEC : LASER LABEL
 SIZE : LABEL SIZE (12 X 76mm)

QTY REQUIRED	PART OR IDENTIFYING NO.	NOMENCLATURE OR DISCRIPTION	MATERIAL SPECIFICATION	ITEM NO.	
PARTS LIST					
UNLESS OTHERWISE SPECIFIED DIMENSIONS ARE IN INCHES. TOLERANCES ARE:		POLYCOM INC.			
FRACTIONS ±	DECIMALS .X ± 0.015 .XX ± 0.010 .XXX ± 0.005	ANGLES ± 2 DEG.	8 PIN DIN TO DB-9 CABLE, 25 FEET		
THESE DRAWINGS AND SPECIFICATIONS ARE THE EXCLUSIVE PROPERTIES OF POLYCOM CORPORATION, ISSUED IN STRICT CONFIDENCE AND SHALL NOT, WITHOUT THE PRIOR WRITTEN PERMISSION OF POLYCOM CORPORATION BE REPRODUCED, COPIED, OR USED FOR ANY PURPOSE WHATSOEVER EXCEPT THE MANUFACTURE OF ARTICLES FOR POLYCOM CORPORATION.		APPROVALS DRAWN: T.BOBO ENGINEER: APPVD: APPVD:	DATE 091299	TITLE	
		SIZE B	DWG. NO. 2457-09210-001	REV. C	
		SCALE: N.T.S.	DO NOT SCALE DRAWING	SHEET 1 OF 1	

4

3

2

1