

# Technical Information

No. 5013

Edition: 08/05 - subject to change

Substitutes: Edition 01/04

Status: valid

# Xenon Short Arc Lamp

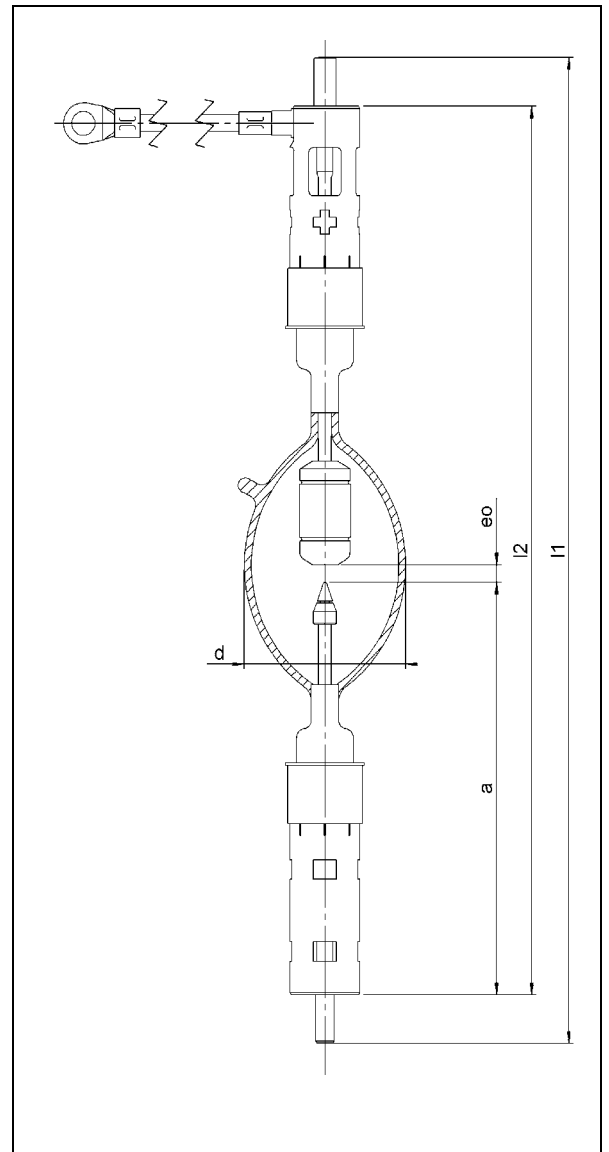
# XBO<sup>®</sup> 6000 W/HS OFR

## ■ Product description

The OSRAM XBO<sup>®</sup> 6000 W/HS OFR is a DC-operated lamp that is especially suited for applications requiring excellent arc stability and a high luminance. The OSRAM XBO<sup>®</sup> 6000 W/HS OFR is designed for horizontal burning position (H = horizontal, S = short)

## ■ Technical data

Order reference	XBO <sup>®</sup> 6000 W/HS OFR	
Rated lamp wattage	W	5900
Rated lamp voltage	V	37
Rated lamp current (=)	A	160
Current control range	A	110 - 165
Ignition voltage	kV <sub>p</sub>	40
Min. open circuit voltage for cold / hot ignition	V	85 / 110
Luminous flux	lm	280000
Luminous intensity	cd	40000
Average luminance	cd/cm <sup>2</sup>	105000
Luminous area w x h *)	mm	2.0 x 7.5
Electrode gap e (cold)	mm	9,0
Lamp length (overall) l <sub>1</sub>	mm	max. 433
Lamp length l <sub>2</sub>	mm	max. 393
LCL a	mm	170,5
Bulb diameter d	mm	78
Average service life	h	900
Warranty	h	750
Base	Cathode:	SFa 30-7,9
	Anode:	SFa X 30-9,5



\*) w = luminance half width value; h = height of luminance area (corresponds to electrode gap, hot)

## ■ Lamp operation

Maximum permissible base temperature	230°C
Cooling	forced cooling / fan
Min. air flow velocity around discharge vessel	6 m/s
Magnetic arc stabilization	necessary for horizontal operation
Burning position	s 15 (vertical ± 15° ; anode up) ; p 15 (horizontal ± 15°)