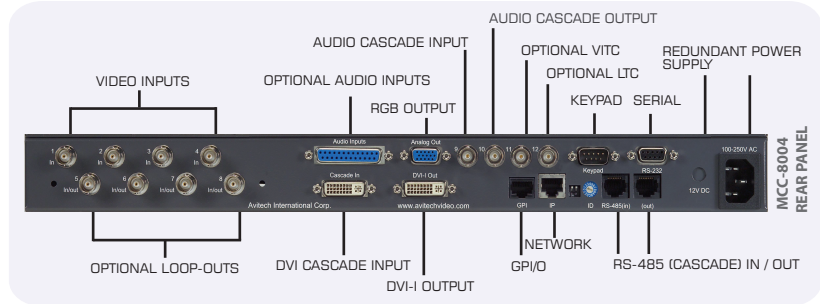


# MEDIA COMMAND CENTER

## MCC-8004 Multiviewer Series



Category	Module Type	Input	Loop-out*	Analog Audio	AES Audio	Embedded Audio	DCDi Processing
QUAD ONLY	MCC-8004Q	4 HD/SD-SDI	-	-	-	32 Channels	Yes
	MCC-8004QL	4 HD/SD-SDI	4 Active	-	-	32 Channels	Yes
ANALOG	<b>Module Type</b>	<b>Input</b>	<b>Loop-out</b>	<b>Analog Audio</b>	<b>AES Audio</b>	<b>Embedded Audio</b>	<b>DCDi Processing</b>
	MCC-8004a	4 CV (PAL/NTSC)	-	-	-	-	-
	MCC-8004aL	4 CV (PAL/NTSC)	4 Passive	-	-	-	-
	MCC-8004aA	4 CV (PAL/NTSC)	-	4 Stereo Pairs	-	-	-
MCC-8004aAL	4 CV (PAL/NTSC)	4 Passive	4 Stereo Pairs	-	-	-	
DIGITAL	<b>Module Type</b>	<b>Input</b>	<b>Loop-out*</b>	<b>Analog Audio</b>	<b>AES Audio</b>	<b>Embedded Audio</b>	<b>DCDi Processing</b>
	MCC-8004d	4 CV, SD-SDI	-	-	-	-	-
	MCC-8004dL	4 CV, SD-SDI	4 Active	-	-	-	-
	MCC-8004dE	4 CV, SD-SDI	-	-	-	32 Channels	-
	MCC-8004dEL	4 CV, SD-SDI	4 Active	-	-	32 Channels	-
	MCC-8004dA	4 CV, SD-SDI	-	4 Stereo Pairs	-	32 Channels	-
	MCC-8004dAL	4 CV, SD-SDI	4 Active	4 Stereo Pairs	-	32 Channels	-
MCC-8004dD	4 CV, SD-SDI	-	-	4 AES/EBU	32 Channels	-	
MCC-8004dDL	4 CV, SD-SDI	4 Active	-	4 AES/EBU	32 Channels	-	
PRODUCTION	<b>Module Type</b>	<b>Input</b>	<b>Loop-out*</b>	<b>Analog Audio</b>	<b>AES Audio</b>	<b>Embedded Audio</b>	<b>DCDi Processing</b>
	MCC-8004P	4 CV, SD-SDI	-	-	-	-	Yes
	MCC-8004PL	4 CV, SD-SDI	4 Active	-	-	-	Yes
	MCC-8004PE	4 CV, SD-SDI	-	-	-	32 Channels	Yes
	MCC-8004PEL	4 CV, SD-SDI	4 Active	-	-	32 Channels	Yes
	MCC-8004PA	4 CV, SD-SDI	-	4 Stereo Pairs	-	32 Channels	Yes
	MCC-8004PAL	4 CV, SD-SDI	4 Active	4 Stereo Pairs	-	32 Channels	Yes
	MCC-8004PD	4 CV, SD-SDI	-	-	4 AES/EBU	32 Channels	Yes
MCC-8004PDL	4 CV, SD-SDI	4 Active	-	4 AES/EBU	32 Channels	Yes	
UNIVERSAL	<b>Module Type</b>	<b>Input</b>	<b>Loop-out*</b>	<b>Analog Audio</b>	<b>AES Audio</b>	<b>Embedded Audio</b>	<b>DCDi Processing</b>
	MCC-8004U	4 CV, HD/SD-SDI	-	-	-	-	Yes
	MCC-8004UL	4 CV, HD/SD-SDI	4 Active	-	-	-	Yes
	MCC-8004UE	4 CV, HD/SD-SDI	-	-	-	32 Channels	Yes
	MCC-8004UEL	4 CV, HD/SD-SDI	4 Active	-	-	32 Channels	Yes
	MCC-8004UA	4 CV, HD/SD-SDI	-	4 Stereo Pairs	-	32 Channels	Yes
	MCC-8004UAL	4 CV, HD/SD-SDI	4 Active	4 Stereo Pairs	-	32 Channels	Yes
	MCC-8004UD	4 CV, HD/SD-SDI	-	-	4 AES/EBU	32 Channels	Yes
MCC-8004UDL	4 CV, HD/SD-SDI	4 Active	-	4 AES/EBU	32 Channels	Yes	

\*Active loop-out cannot output CV signal

[www.avitechvideo.com](http://www.avitechvideo.com)  
[sales@avitechvideo.com](mailto:sales@avitechvideo.com)

Phone: 425.885.3863  
 Toll Free: 1.877. AVITECH  
 Fax: 425.885.4726

**AVITECH INTERNATIONAL**  
 8655 154 Ave. NE  
 Redmond, WA 98052-3561  
 USA

# MEDIA COMMAND CENTER

## MCC-8004 Multiviewer Series

### Tally / UMD Support & Interfaces

#### Routing Switchers:

- Grass Valley, Harris Broadcast (Leitch), Nevia, QuStream (Pesa), Pro-Bel (Snell), and Utah Scientific

#### Production Switchers:

- Grass Valley, Ross Video, Snell & Wilcox, and Sony Broadcast & Professional

#### Tally Management Systems:

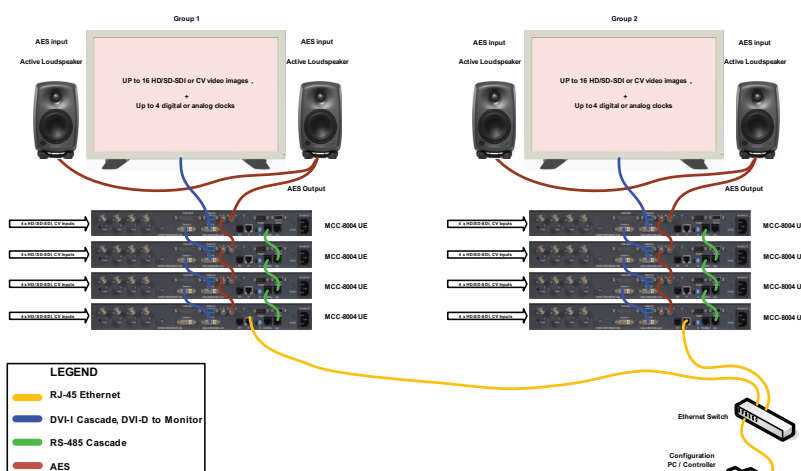
- Grass Valley Andromeda, ImageVideo, OmniBus, and TSL

Specifications		
Ports	Input	4 x BNC Video 1 x DB-25 Audio (Audio Models Only) 1 x Audio Cascade (Audio Models Only) 1 x Video Cascade (Except MCC-8004 Q) 1 x VITC (Time Code Models Only) 1 x LTC (Time Code Models Only) 1 x 12V (Redundant Power Supply Only) 1 x AC Power
	Output	4 x BNC Loop Out (Loop Out Models Only) 1 x DVI-I 1 x VGA/RGB 1 x Audio Cascade (Audio Models Only)
	Control	1 x RS-232 1 x RS-232 (Keypad) 2 x RS-485 (For Cascade Only) 1 x RJ-45 (Static IP) 1 x RJ-50 (GPIO)
Multiviewer Cascade Compatibility	MCC-8004, VCC-8000, ACC-8000 Series Up to 15 modules, 60 video windows	
Communication	IP, RS-232	
Control Software	Galaxy Version v3.11 and Newer	
PC System Requirements	Hard Disk Space: 256 MB PC OS: Windows 98, 2000, XP, Vista RAM: 256 MB	
Power	100~250V, <30W, 50/60Hz	
Redundant Power (optional)	Input: 100~250V, 1.5 A, 47-63Hz Output: 12v, 5A	
Housing	Metal	
Dimension	1 RU, 19" W x 10" D, 48.3cm W x 25.4cm D	
Weight	8 lb, 3.6 Kg	
Environment	Temperature	Operating : 0°C (32°F) to 40°C (104°F) Storage : -10°C (-4°F) to 50°C (122°F)
	Humidity	0 % to 80 % relative, non-condensing
Safety Regulations: FCC, CE, C-Tick, Class A		

### Control & Operations

- Avitech ASCII Protocol (AAP), MCC-SCP (Keypad), TACP (Touch Screen Control Panel)
- 4 Levels of Serial Tally, 2 Levels of GPI Tally
- All Modules Support Direct TSL Interface
- On-Screen Customizable Labels and Borders
- On-Screen Alarms: Loss of video, Loss of audio, Video-no-motion (SDI Only), Audio high/low, Video black (SD-SDI Only)
- Output Resolution up to 1920x1200
- Save up to 26 Internal Presets
- Built-in Digital and Analog Clock (Except MCC-8004Q)
- NTP Clock Support
- Internal 4x4 Video Router

### Multiple Group Configuration Example



- Cascade up to 15 module in one group\*
- Monitor up to 60 video inputs on one display\*

\*(Except MCC-8004Q)

### Accessories

- 12" DVI-I Cascading Cable (Included)
- 10" RJ45 Cascading Cable (Included)
- RJ50 GPIO/Tally Terminal block (Included)
- Avitech Software CD (Included)
- ANSI Power Cable (US Customers Only)
- DB-25 Audio Terminal (Optional)
- Redundant DC Power Supply (Optional)
- DVI-I Breakout Cable (Optional)
- Rear Mount Kit (Optional)